



EXTRUDED PROFILES

Primary Function

Cosset's **Extruded Profiles** are suitable for just about anything related to building, landscaping and public open space.

From high profile decking and marine situations to maintenance free performance in passive low use areas, **Extruded Profiles** are easy to work with.

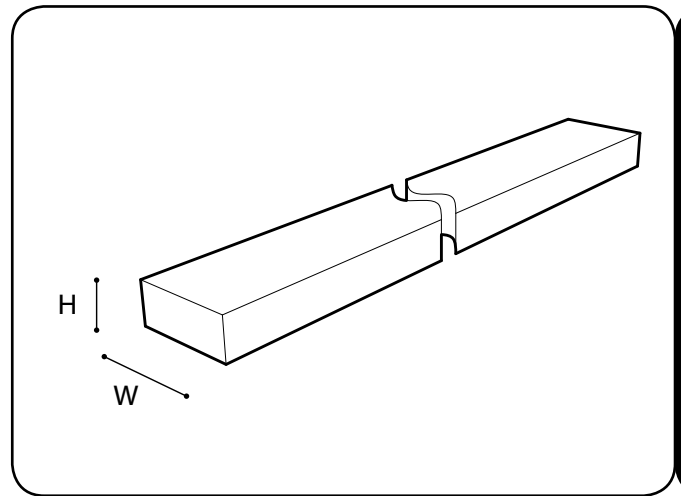
Use **Extruded Profiles** for retaining walls, bollards, garden edging, decking or internal walkways, marine installations, steps, handrails, trail markers, boardwalks and jetties, bearer beams, shipping dunnage, fascia boards or just about anything you want.

Features

- Available in any practical length or dimension.
- Recycled co-mingled material means timber-like strength with no warping.
- Won't crack, splinter, rot, rust or need any maintenance which means you install and enjoy.
- Graffiti resistant to discourage vandalism.
- Termite and White ant resistant to ensure longevity for your project.
- Superior life span with advantage of retaining physical properties during entire product life, meaning consistent product performance you can rely on every year.
- Aesthetic for the life of the product to keep the look you're after year after year.

All about Extruded Profiles

Cosset Industries **Extruded Profiles**, a breakthrough for recycling and a win for reducing land fill. Using **new technology**, a variety of plastic is **co-mingled** and extruded into a **continuous** length. The result is a considerably stronger section available in any practical length produced far more cost effectively than moulding. We have included our standard range on this tech spec but any practical dimensions can be produced.



SQUARE PROFILES

Options

- Available in Standard Charcoal
- Any practical dimension or length

Models

Dimensions (D) Refer to D Chart below
 COSSET-ES-D-BL-SC 90 x 40mm profile

Section Length (BL) Specify between 250 - 6000mm
 COSSET-ES-D-3000-SC 3m of 90 x 40mm profile

Colours (CC) Specify CC as SC - standard charcoal only.

D CHART				
	Height (mm)	Width (mm)	Max Length Section Length	Weight (kg/m)
A	40	40	6000	2.0
B	50	50	6000	2.6
C	75	45	6000	3.5
D	90	40	6000	4.0
E	100	50	6000	5.1
F	125	100	6000	12.8
G	150	150	6000	15.4
H	150	100	6000	23.1
I	185	40	6000	7.6
J	200	100	6000	20.6

How To Specify:

COSSET - ES - D - BL - CC
 Manufacturer | Model Code | Dimension | Section Length | Colour