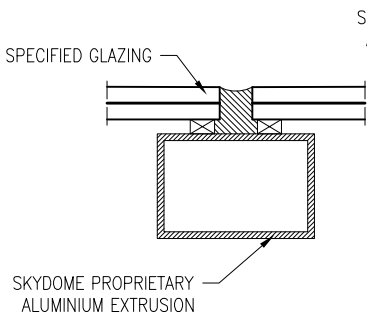
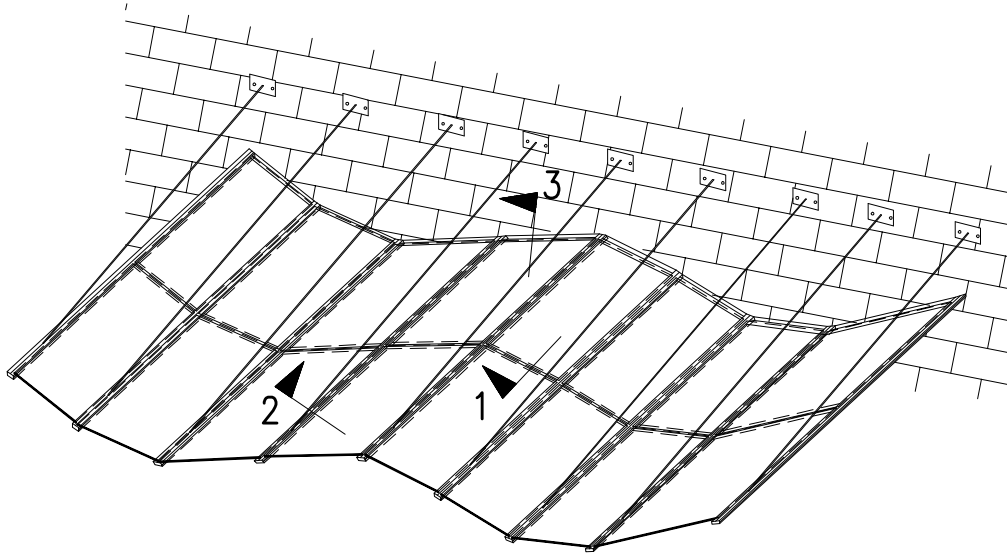
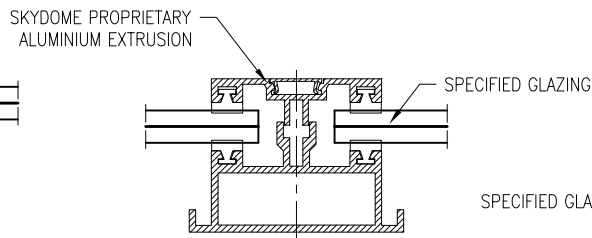


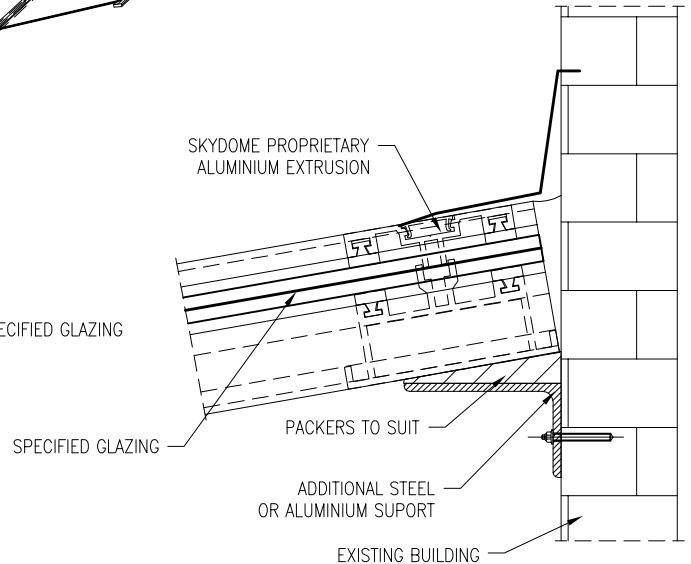
## AWNING TYPE 4



SECTION 1



SECTION 2



SECTION 3

**SKYDOME SKYLIGHT SYSTEMS Pty Ltd** ACN 001 918 494 ABN 52 001 918 494 Website: [www.skydome.com.au](http://www.skydome.com.au)

### SKYGLAZING

□ NSW

77 Queens Road, Five Dock, NSW, 2046  
PO Box 138, Five Dock, NSW, 2046  
Phone: (02) 9745 1522  
Fax Sales and Admin: (02) 9744 1267

□ QLD

3 / 268 Ipswich Road, Annerley, QLD, 4103  
PO Box 154, Goodna, QLD, 4300  
Phone: (07) 3391 3388  
Fax Sales and Admin: (07) 3393 2622

Email: [skyglazing@skydome.com.au](mailto:skyglazing@skydome.com.au)