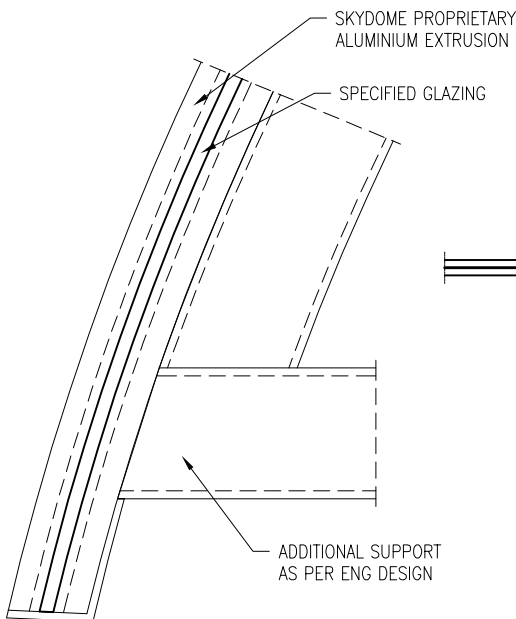
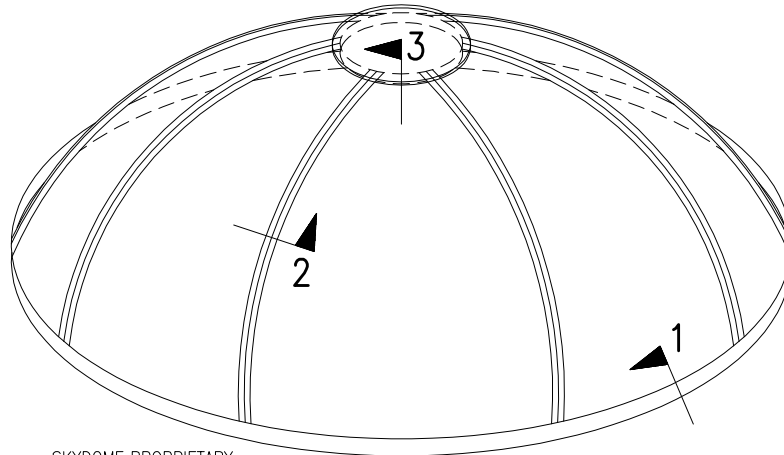
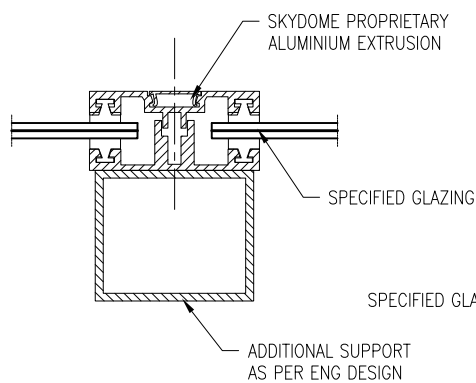


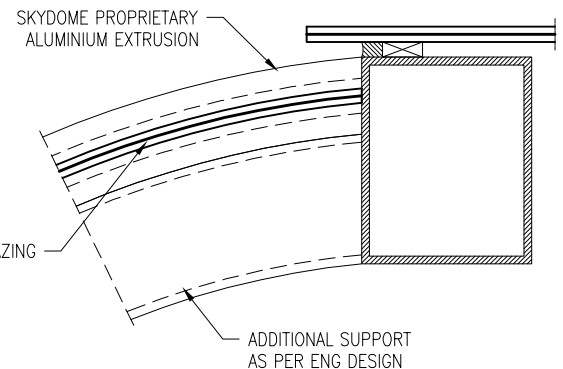
SPHERE – SHAPED SKYLIGHT TYPE 2



SECTION 1



SECTION 2



SECTION 3

SKYDOME SKYLIGHT SYSTEMS Pty Ltd ACN 001 918 494 ABN 52 001 918 494 Website: www.skydome.com.au

SKYGLAZING

□ NSW

77 Queens Road, Five Dock, NSW, 2046
PO Box 138, Five Dock, NSW, 2046
Phone: (02) 9745 1522
Fax Sales and Admin: (02) 9744 1267

□ QLD

3 / 268 Ipswich Road, Annerley, QLD, 4103
PO Box 154, Goodna, QLD, 4300
Phone: (07) 3391 3388
Fax Sales and Admin: (07) 3393 2622

Email: skyglazing@skydome.com.au